

DEFENDER RESTRICTED

FRICITION HINGE FOR CHILD SAFETY

- Built-in child resistant mechanism limits initial opening
- Tested to BS6375 Part 2 to withstand a force of 600N when opened to the restricted position
- Built-in quick release lever allows the window to be fully opened for easy cleaning, total ventilation
- Restrictor automatically relocates and resets when the window is closed
- Available in ferritic 430* and austenitic 304* stainless steel for enhanced corrosion resistance
- 10 year guarantee (details available upon request)

▼ **QUICK RELEASE**
Fully opening release lever relocates and resets automatically



▼ **SMOOTH OPERATION**
Thermoplastic components for long life



* Standard Ferritic (was 430) steel to BS EN ISO 10088/2 Grade 1.4016 or Austenitic (was 304) stainless steel to BS EN ISO 10088/2 Grade 1.4301 for enhanced corrosion resistance.

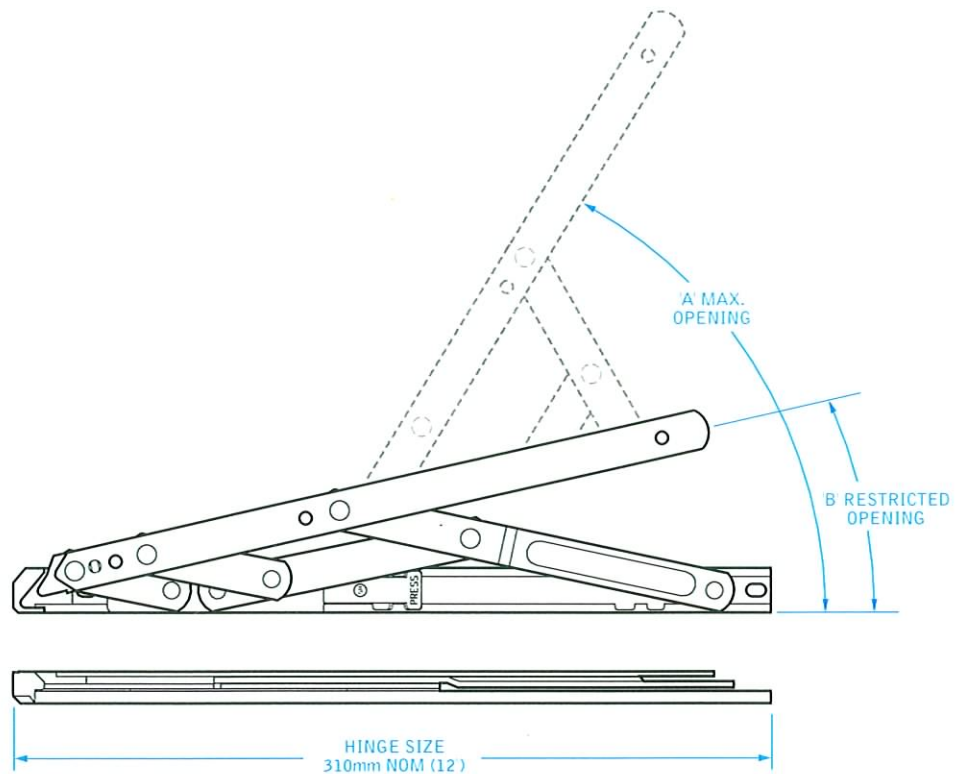
PRODUCT SPECIFICATION

- Side hung restricted hinges are sold singularly. Top hung restricted hinges are sold in pairs
- 12" side hung Defender Restricted hinge is available with either counterbored or countersunk fixing holes
- Drilling jigs for all sizes are available to order

Note: as with all types of friction hinges, friction cannot be provided until the slider moves, therefore when limiting the opening of vents to angles of 10° or less, a separate device will be required to prevent the window from closing.

The restricted opening gap is controlled by;

- The restricted opening angle shown (angle 'B')
- Profile thickness
- Vent size



DEFENDER RESTRICTED

Hinge Size (Top Hung) (in/mm)	Max Vent Weight (lb/Kg)	Max Vent Height (in/mm)	Min Vent Height (in/mm)	Max Opening Angle 'A'	Max Opening Angle 'B'
12/310	44/20	21.7/550	13.8/350	65°	14°
16/413	46/21	29.5/750	19.7/500	59°	10°
20/513	53/24	39.3/1000	27.6/700	50°	9°
24/615	77/35	47.2/1200	33.5/850	37.5°	7°
Hinge Size (Side Hung)	Max Vent Width	Min Vent Width			
12/310	48/22	23.6/600	11.8/300	58°	13°
16/413	53/24	27.6/700	15.7/400	58°	11°



Due to our policy of continual improvement we reserve the right to alter specifications without notice. It is the responsibility of the window manufacturer to ensure that the finished window meets the required performance and safety specification.

All transactions are subject to our standard conditions of supply, which are available on request.